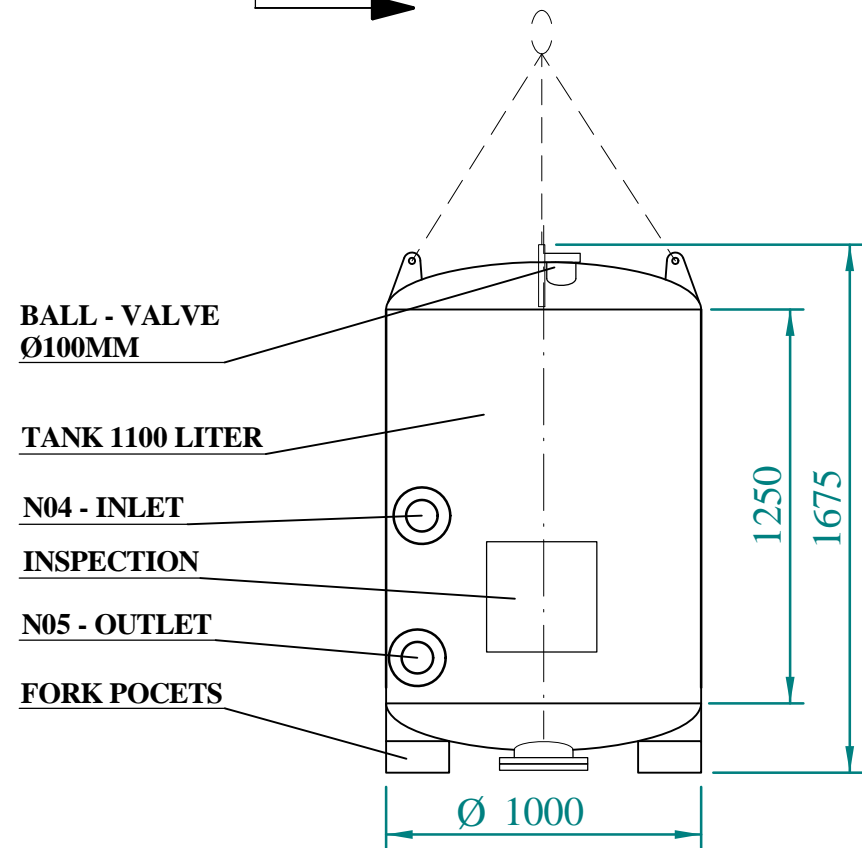
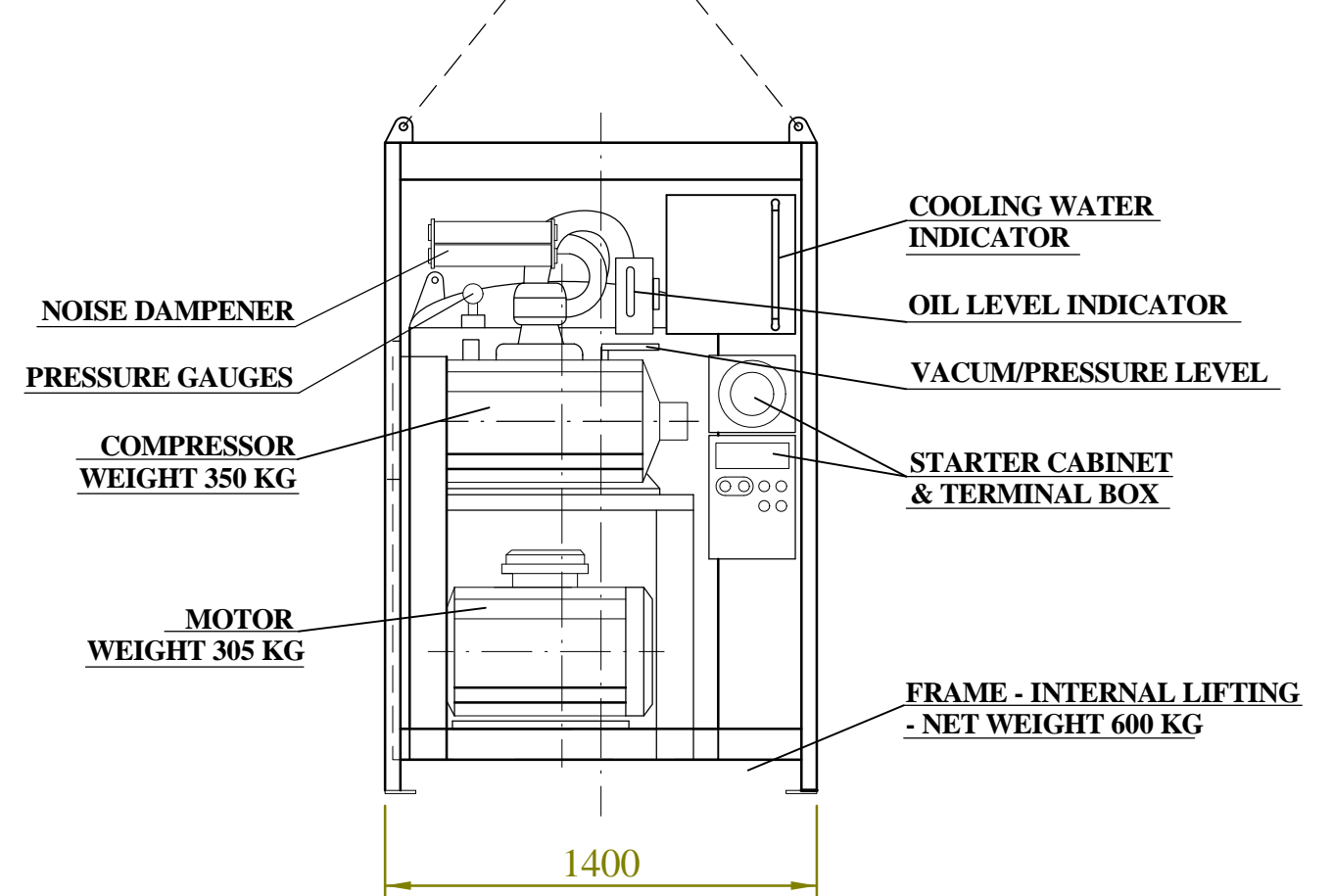
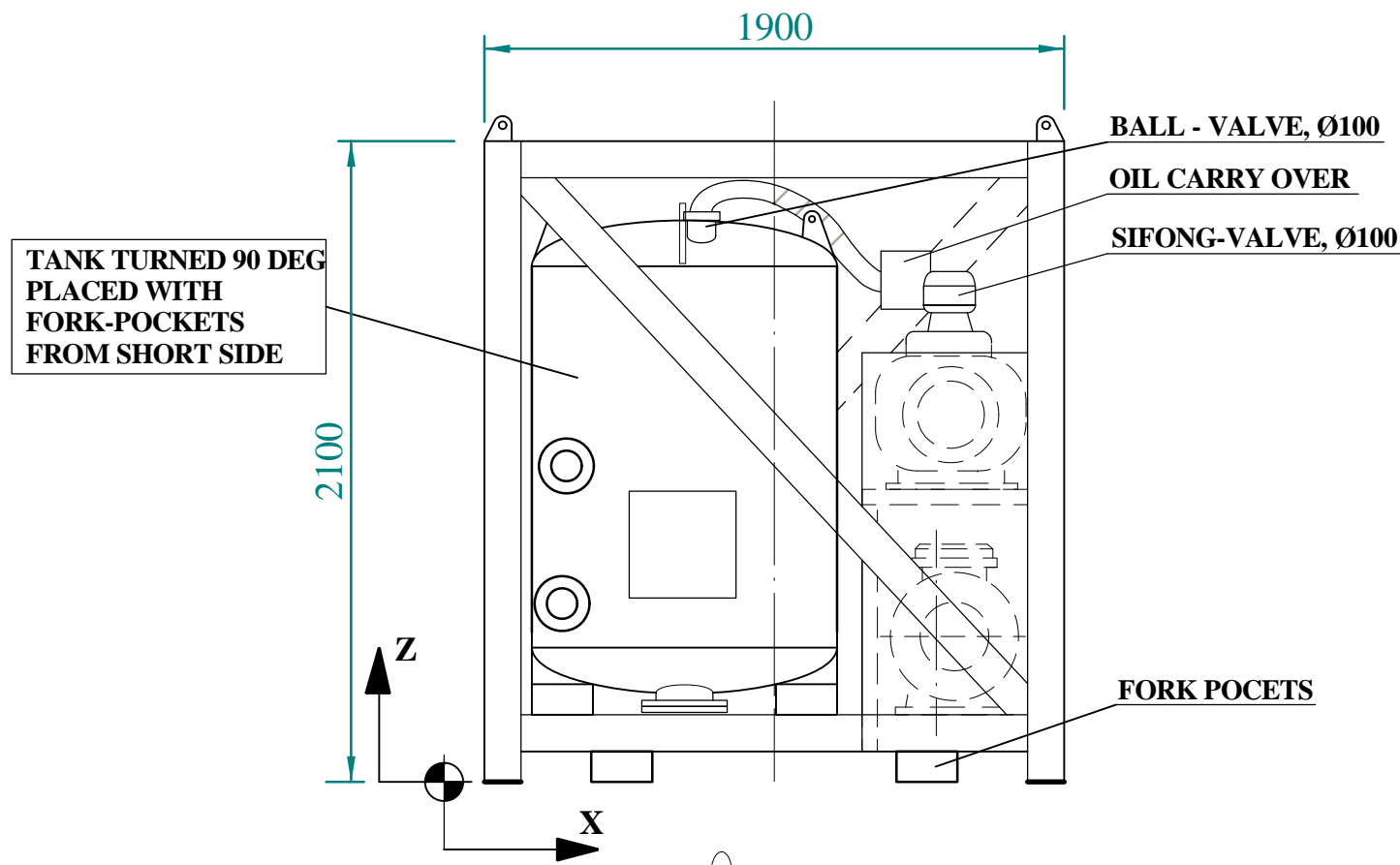


FRONT VIEW

SIDE VIEW



- NO THERMIC EXPANION
- TARA WEIGHT 1700KG / 2000KG
- GROSS WEIGHT 1900KG / 2200KG
- ALL COMPONENTS INSIDE FRAME
- CENTER OF GRAVITY - CENTRIC (LIFING GEAR)
- ELETRICAL COUPLINGS/ CABLES
- PUMP MAX PRESSURE 1.5 BAR
- PUMP MAX VACUUM 0.90 ATM.
- WPT720PR, ABB ExnA, 35kW, Multivoltage
- MAX CAPASITY PUMP 14.400 L/ MIN.
- WPT480PR, ABB ExnA, 25kW, Multivoltage
- MAX CAPASITY PUMP 9.700 L/ MIN.
- LUBRICATION CONSUMPT. 0,2L/ H

SM - 243-E-OES(2)

1100 LITER - OE MOIVAC

Designed	Approved	Projection	Scale 1 : 30	Replaces: TF11	Replaced by: TF12
Drawn			Format A3	File: C:/DOC/08-OFF/TLB/HYDR-PROC.	Rev.
				GA - (1900X1400X2100)	01

01	15.01.09	NEW DESIGN		O.J.DALE	E.FOSSE	I.GRØDEM
REV.	DATE	REASON FOR ISSUE		PREPARED BY	CHECKED BY	APPROVED BY